



## GENERAL FEATURES

- Rack size 126x80 cm
- Gross weigh: 372,5 Kg
- Washing cycle/racks/hour:  
2'-3'-6'-9' / 30-20-10-7
- Stainless steel wash and rinse arms
- Wash pump: 2x3.000 W
- Boiler capacity: 17 liters
- Tank capacity: 100 liters
- Boiler heating element: 9 Kw
- Tank heating element: 9 Kw
- Water quantity per cycle: 7 liters
- Electronic controls with LCD display
- Useful washing height :800 mm
- Magnetic door microswitch
- Automatic water filling
- Double electric detergent and rinse dispenser
- Hot rinse
- Thermostop function
- Self cleaning vertical pump
- PRS system (Atmospheric Boiler+Break tank)
- Green Function for energy saving
- Automatic end-of-day self cleaning of water

## FILTRATION

- Pre-filtering of the tank water by means of no. 1 stainless steel filter equipped with collection basket
- Pump filter in stainless steel, easily removable

## BODY

- AISI 304 stainless steel Body
- Double skinned insulated body
- Door handle in s/s
- Preformed wash tank AISI 316
- Wash/rinse arms in s/s, easily removable
- Boiler in acciaio inox AISI 316

## EQUIPMENT AS GLASSWASHER

- 1 inox basket 126x80 cm with wheels
- 1 inlet hose (length 2 m)
- 1 drain hose (length 2 m)

## OPTIONAL

- Drain pump
- 60 Hz version
- Hot water filling

## ACCESSORIES FOR WATER TREATMENT

- External softener

## ACCESSORIES

- Stainless steel supports for special tray washing

## INSTALLATION

- Use the screws of the feet and a spirit level to ensure that the machine is levelled

## MAIN POWER SUPPLY

- The voltage of main power supply must be compatible with the rated voltage
- The machine must be connected to a suitable earth (ground) system
- Connect the machine power socket to the multipole wall switch provided

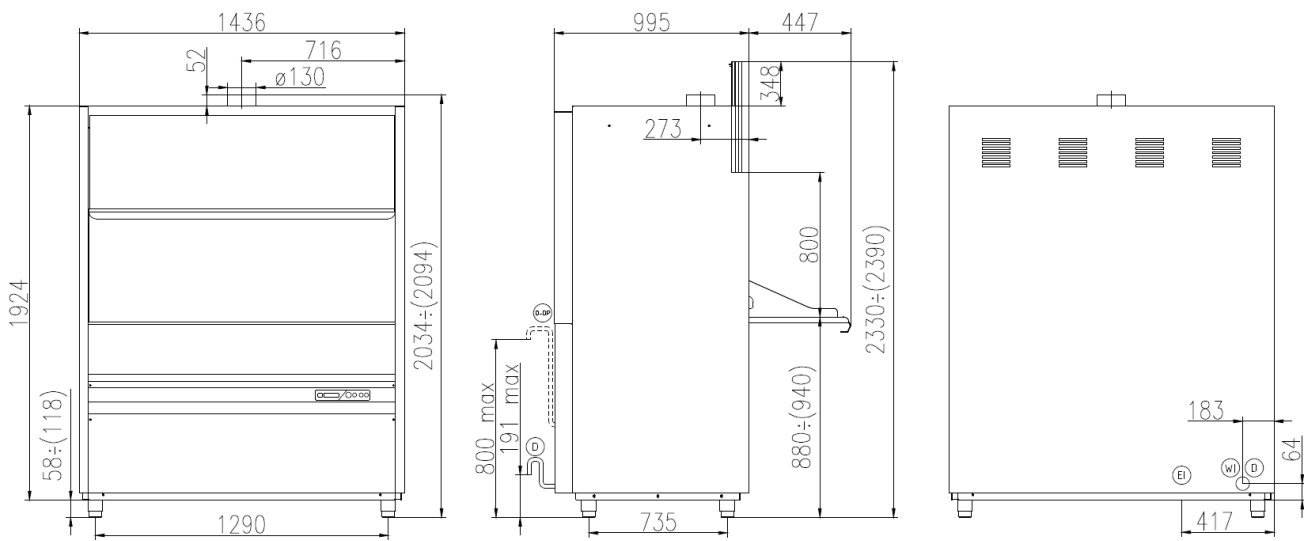
## WATER SUPPLY CONNECTION

- A water softener must be installed if the water is hard
- The water pressure must be between 0.1MPa (1 bar), and, 0.5MPa (5 bar)
- The temperature of the water-supply must be between 10°C to 25°C

## TECHNICAL SPECIFICATIONS

- Voltage: **380-415 V3N ~ 50 Hz**
- Total power: **15 kW**
- Amperage: **22 A**
- Power cord supply size: **5 x 4 mmq**

## AU 125.80<sup>E</sup> PRS



(EI) CAVO DI ALIMENTAZIONE  
POWER CORD SUPPLY  
CABLE D'ALIMENTATION  
CABLE DE ALIMENTACION

(WI) CANNA DI CARICO G 3/4 L=2000 mm  
G 3/4 INLET HOSE L=2000 mm  
TUYAU D'ALIMENTATION G 3/4" L=2000 mm  
TUBO DE ALIMENTACION G 3/4" L=2000 mm

(D) TUBO DI SCARICO  $\varnothing$  40 mm L=2000 mm  
DRAIN HOSE  $\varnothing$  40 mm L=2000 mm  
TUYAU DE VIDANGE  $\varnothing$  40 mm L=2000 mm  
TUBO DE DESAGUE  $\varnothing$  40 mm L=2000 mm

(D-DP) TUBO DI SCARICO  $\varnothing$  29 mm L=2500 mm (CON POMPA SCARICO)  
DRAIN HOSE  $\varnothing$  29 mm L=2500 mm (WITH DRAIN PUMP)  
TUYAU DE VIDANGE  $\varnothing$  29 mm L=2500 mm (AVEC POMPE DE VIDANGE)  
TUBO DE DESAGUE  $\varnothing$  29 mm L=2500 mm (CON POMPA DE DESAGUE)

	Min 10°C-MAX 50°C
	Min 10°C-MAX 25°C with ENERGY RECOVERY
	200-500kPa(2±5 Bar)
	100-500kPa(1±5 Bar) with ATMOSPHERIC BOILER
	HARDNESS 5-20°f-2.8-11°d